



Local Transport



# LIGERO

PRODUCT RANGE



## TOP FEATURES:

- Low-weight solution
- High level of seating comfort
- Various optional extras
- Maximum safety

The Kiel LIGERO is a low-weight and modular seat especially designed for shuttle buses and mini vans. The seat combines contemporary design, superior comfort and maximum safety.

The variety of options allows customers to select a seat set tailored to meet their specific requirements.

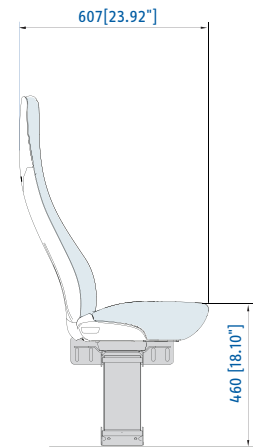
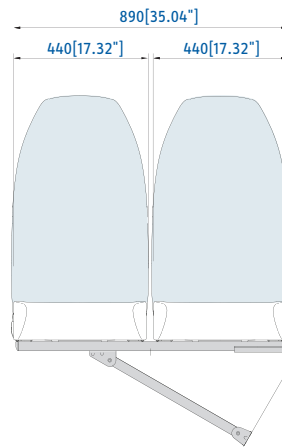


- Vandal resistant surface

# LIGERO

## VERSIONS

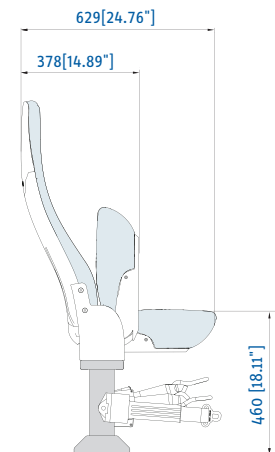
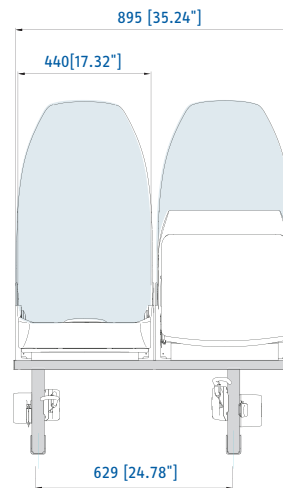
### 2 Passenger Seat



#### FEATURES:

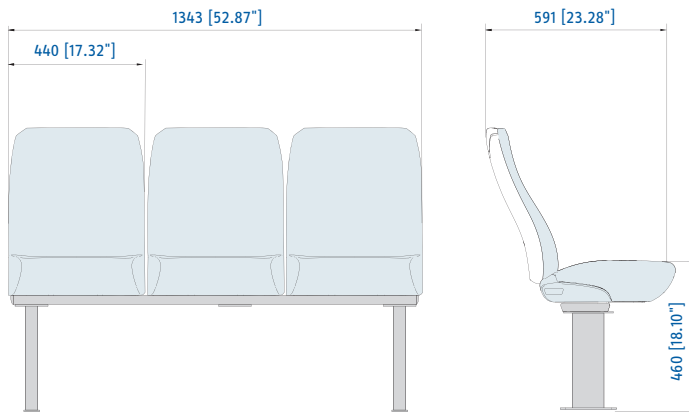
- Optional Grab rail on back (aisle side or horizontal)
- Mounting system, available with cantilever or pedestal
- Optional aisle armrest restraint, fold-up armrest
- High-quality plastic back cover

### 2 Passenger Flip-Up Seat



#### FEATURES:

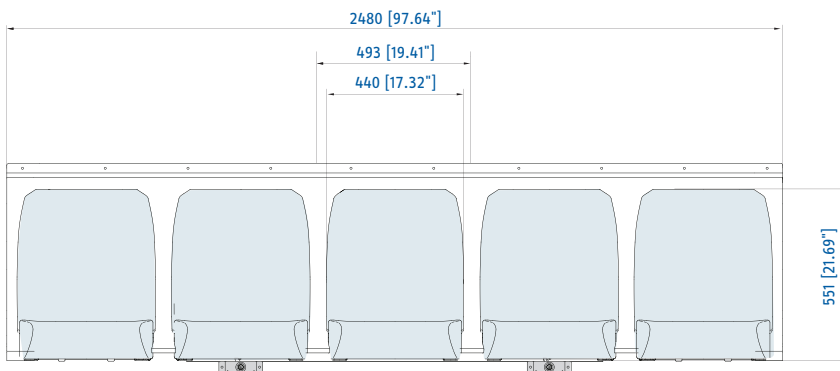
- Grab rail on back (aisle side or horizontal)
- Locking options: up and down position
- Integrates with mobility aid securement products for A.D.A. compliance



**FEATURES:**

- Pedestal
- Aisle armrest restraint

**1-5 Passenger Seat**



**FEATURES:**

- Optional closeouts
- Flip-up feature for engine maintenance

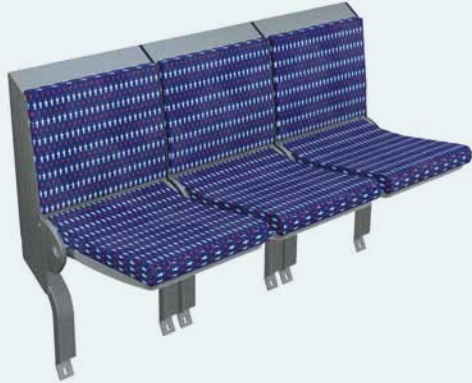
**2-5 Passenger Rear Bench**



# LIGERO

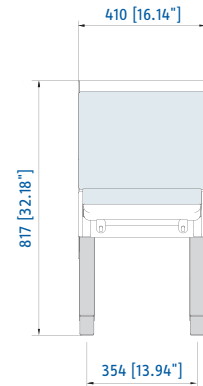
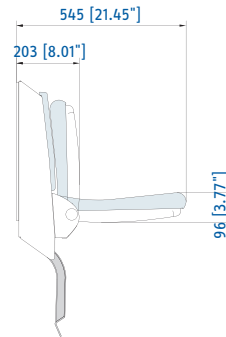
## VERSIONS

### 1 - 8 Passenger Flip-Up-Seat

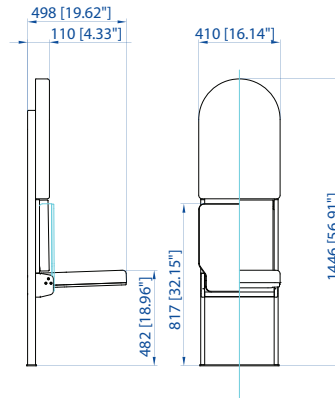


#### FEATURES:

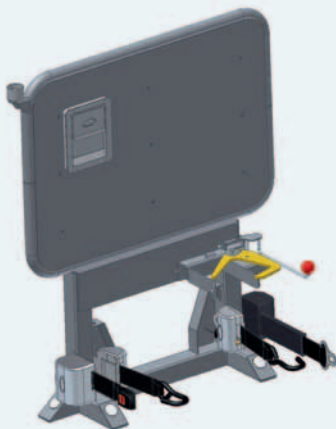
- Optional fold-up armrest available



### Support-Board

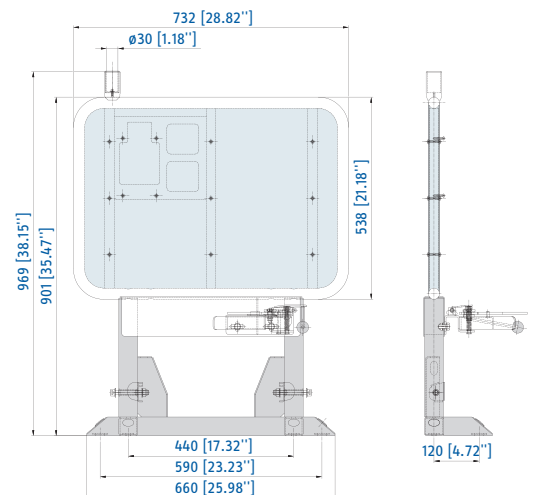


### Barrier



#### FEATURES:

- Stainless steel plate panel or diamond pattern, or in different colors available
- Integrates with mobility aid securement product for A.D.A compliance
- Padding option available



The LIGERO seating system has a high level of versatility. The modular design concept allows the adaption to almost any installation requirement.

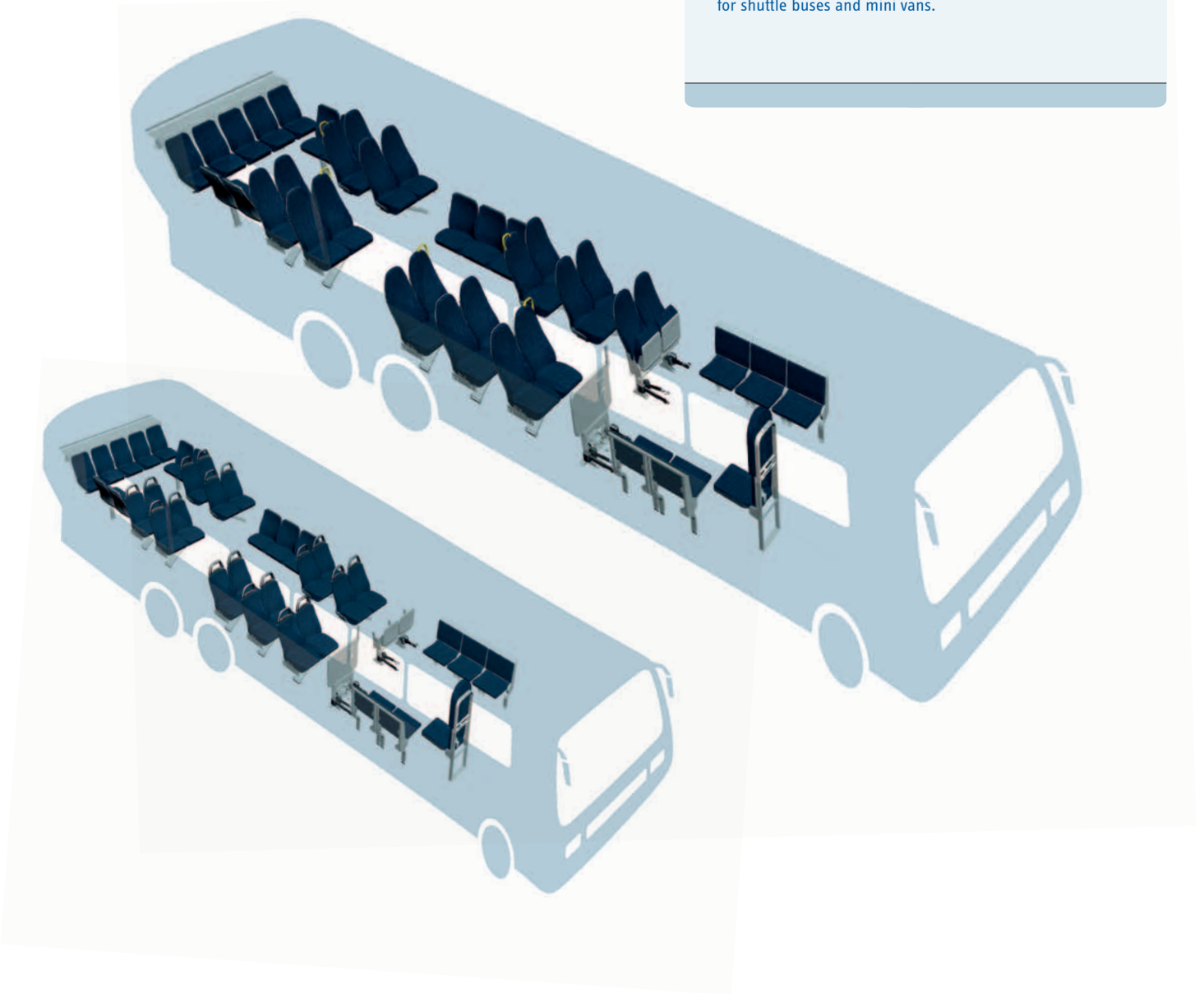
### INSTALLATION

- Well-designed seating system ready to install
- Easier installation due to a sophisticated mounting system

### MAINTENANCE

- The modular design allows replacement of all parts.
- Full range of service parts ensures seats can be maintained properly.

The LIGERO seating system provides an allround solution for shuttle buses and mini vans.



# LIGERO

## OPTIONS

### Optional Extras



Grab rail



Grab handle on back



Aisle armrest restraint Standard



Aisle armrest restraint A.D.A.



Fold-up armrest

### Optional Extras



Full backrest cover  
in dark grey/ light grey available  
(in combination as shown)



2/3 backrest cover



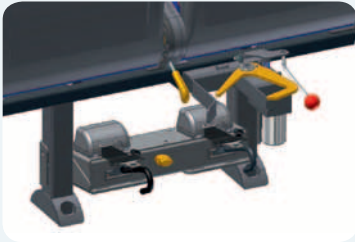
without backrest cover

### Options

- low seat cushion
- Yellow grab handles

## MOBILITY AID SECUREMENT

### Restraint System



#### FEATURES:

- Kiel mobility aid securement system
- Optional Q-Strait product Q'ube available
- Standard Q-Strait and other products according to specification available

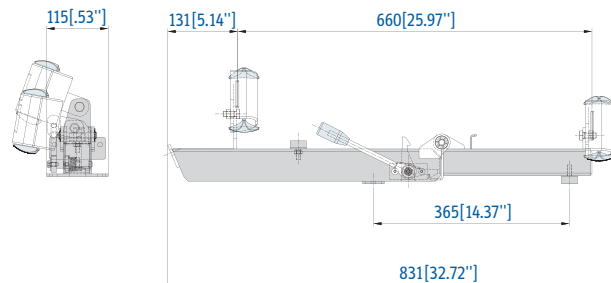
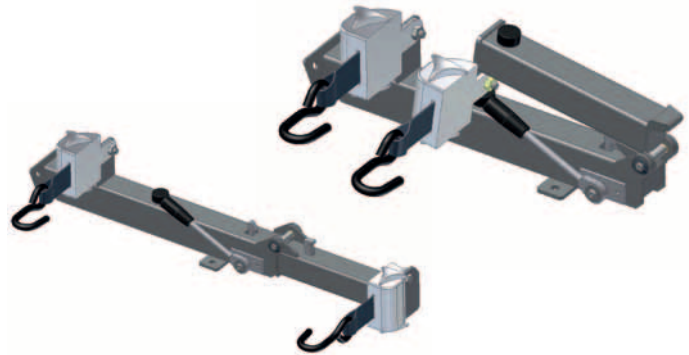


### KIEL-FRS Floor Restraint System



#### FEATURES:

- Well-designed restraint system safeguards wheel chairs against movements.
- Non-power maintenance free and stable system
- Patent-pending system allows free movement of belts and ease of use
- A.D.A. compliant



## BENEFITS AND FEATURES

---

### TOP QUALITY

---

- Top quality material, first-class workmanship
- Integrates the latest findings in material properties and manufacturing technologies

### STATE-OF-THE-ART DESIGN

---

- Contemporary styling, low-weight solution
- The new seat range allows customers to select a package according to their market needs, and to meet international standards and legislation

### ENHANCED SEATING COMFORT

---

- Ergonomic seat features superior seating comfort
- The slim-line contoured design allows for increased spaciousness and ample leg room

### EASY MAINTENANCE

---

- Modular design concept allows replacement of major parts and quick-release of seat and back cushions
- Improved assembly consistency and reduction of the variety of spare parts needed to service the seat

### MAXIMUM SAFETY

---

- Utilizes flammability-resistant materials, low-fire polyurethane
- Hidden mounting parts